

Fixed-focus lens

Description

This fixed-focus zoom lens is designed for use with a Panasonic's applicable projector. The short-throw lens is ideal for rear projection.

NOTE: Please use the lens only on the specified Panasonic projectors.

Specifications

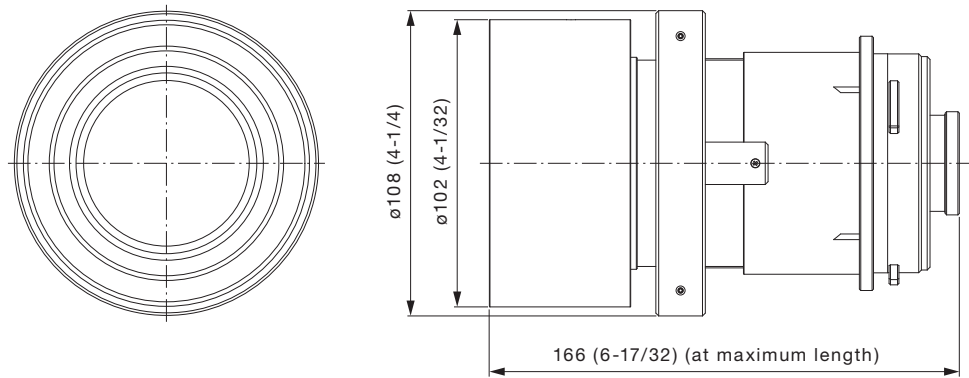
F value:	2.0
Focal distance (f):	13.05 mm
Throw ratio:	0.8:1
Dimensions (W × H × D):	108 × 108 × 166*1 mm (4-1/4 × 4-1/4 × 6-17/32*1 inches)
Weight:	Approx. 1.08 kg*2 (2.4 lbs*2)
Applicable projector:	PT-EZ570 series: PT-EZ570/EZ570L/EW630/EW630L/EX600/EX600L/EW530/EW530L/EX500/EX500L PT-EZ770 series: PT-EZ770Z/EZ770ZL/EW730Z/EW730ZL/EX800Z/EX800ZL

*1 At maximum length.

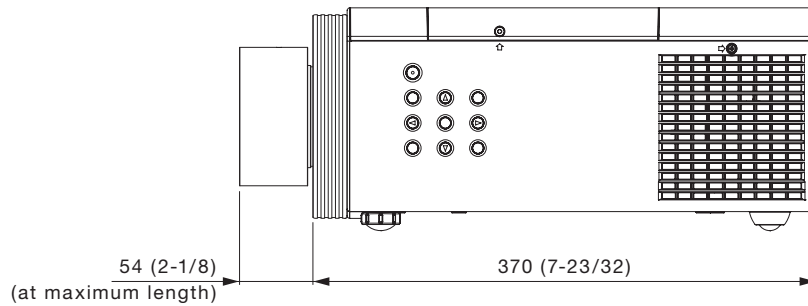
*2 Average value. May differ depending on the actual unit.

The throw ratio is an approximate value calculated by dividing the screen width by the projection distance.

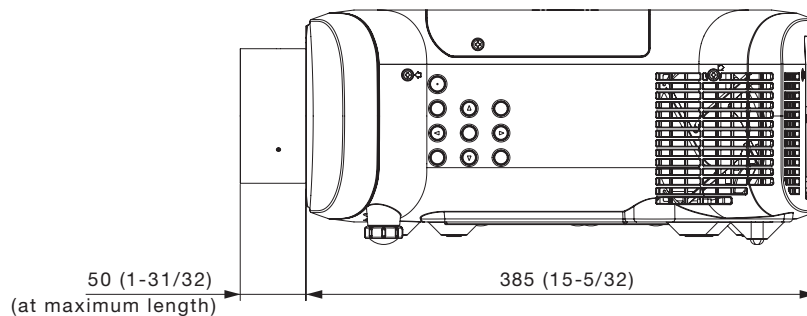
Dimensions



The illustration shows the lens attached to the projector.



PT-EZ570 series



PT-EZ770 series

NOTE: Please read the projector's instruction manual for throw distances.

Weights and dimensions shown are approximate. Specifications subject to change without notice.

unit : mm (inch)

NOTE: This illustration is not drawn to scale.